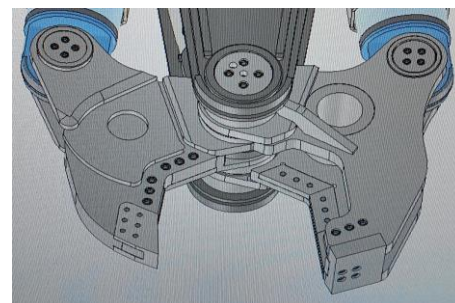
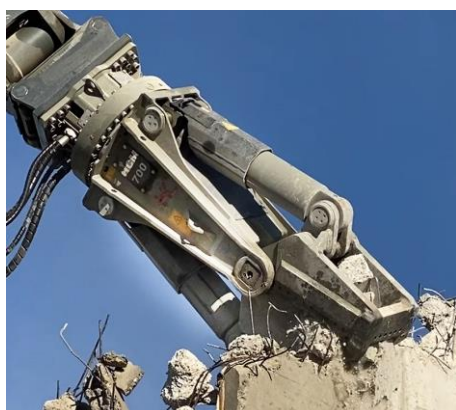


## KONVERMA Demolition Equipment

Multiprocessor HCM 600; HCM 650; HCM 700; HCM 750; HCM 800; HCM 900 (-M, -C, -S)



A single support can be equipped with three different, rapidly exchangeable jaws:

- HCM-M multifunction jaw
- HCM-C combi jaw
- HCM-S scrap metal jaw

### HCM Strengths

- Sizes suitable from 8 to 65 tons
- Hydraulically 360° rotatable
- Highly reliable Torque-hydraulic motors, with a pressure limit valve
- Robust hydraulic cylinder with SPEED valve
- Wide bushings made of quenched tempered steel, hardened 60 HRC
- Robust slewing bearing with hardened gear wheel
- Reinforced jaws, manufactured from high-strength, wear-resistant HARDOX steel
- Exchangeable crushing teeth made of Hardox 600

# ARAG

ARAG Bau AG  
Zinggen  
6166 Hasle LU  
www.arag-bau.ch  
Tel. 058 710 00 00

## Baumaschinen-Rent

imprimé par: [www.arag-bau.ch](http://www.arag-bau.ch)

Model:	HCM 600-M	HCM 600-S	HCM 650-M	HCM 650-C	HCM 650-S	HCM 700-M	HCM 700-C	HCM 700-S	HCM 750-M	HCM 750-C	HCM 800-M	HCM 800-C	HCM 800-S	HCM 900-M
<b>Weights:</b>														
Exc. weight:	8-17 t	8-17 t	15-24 t	15-24 t	15-24 t	20-30 t	20-30 t	20-30 t	25-40 t	25-40 t	30-47 t	27-47 t	27-47 t	40-65 t
Weight:	1070 kg	970 kg	1577 kg	1570 kg	1470 kg	2070 kg	2070 kg	1930 kg	2700 kg	2730 kg	3370 kg	2970 kg	2870 kg	4370 kg
<b>Dimensions, closing forces:</b>														
Opening:	517 mm	375 mm	590 mm	797 mm	427 mm	650 mm	900 mm	470 mm	720 mm	1000 mm	770 mm	1000 mm	560 mm	830 mm
Jaw width:	404 mm	175 mm	450 mm	200 mm	187 mm	510 mm	250 mm	217 mm	570 mm	370 mm	605 mm	297 mm	258 mm	650 mm
Jaw depth:	450 mm	350 mm	510 mm	580 mm	370 mm	575 mm	660 mm	450 mm	625 mm	700 mm	700 mm	785 mm	540 mm	827 mm
Closing force: (min. / max.)	53/150 t	62/150 t	75/270 t	70/270 t	87/270 t	83/270 t	80/270 t	100/270 t	95/350 t	90/350 t	105/370 t	97/370 t	130/370 t	125/400 t
<b>Hydraulic:</b>														
Opening / Closing: Pmax.	350 bar	350 bar	350 bar	350 bar	350 bar	380 bar	380 bar	380 bar	380 bar	380 bar	380 bar	380 bar	380 bar	380 bar
Oil flow: (l/min)	100-200	100-200	130-250	130-250	130-250	130-250	130-250	130-250	200-300	200-300	220-330	220-330	220-330	300-400
Rotation: Pmax.	90 bar	90 bar	90 bar	90 bar	90 bar	90 bar	90 bar	90 bar	90 bar	90 bar	110 bar	110 bar	110 bar	110 bar
Rotation, oil flow: (l/min.)	25	25	25	25	25	45	45	45	45	45	45	45	45	45